

Corrosion Test Chamber - TLC series



Suitable for many national and international test standards

ISO 9227 NSS.ASS.CASS
ISO 60068-2-11
ASTM B 117

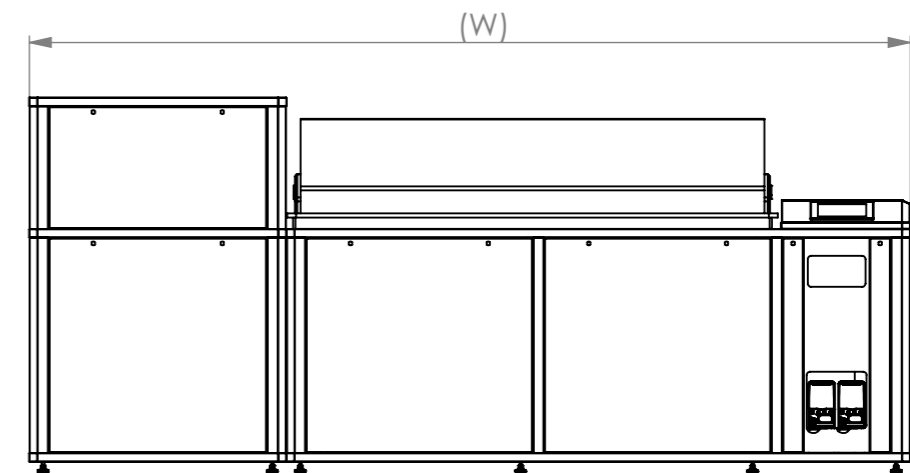
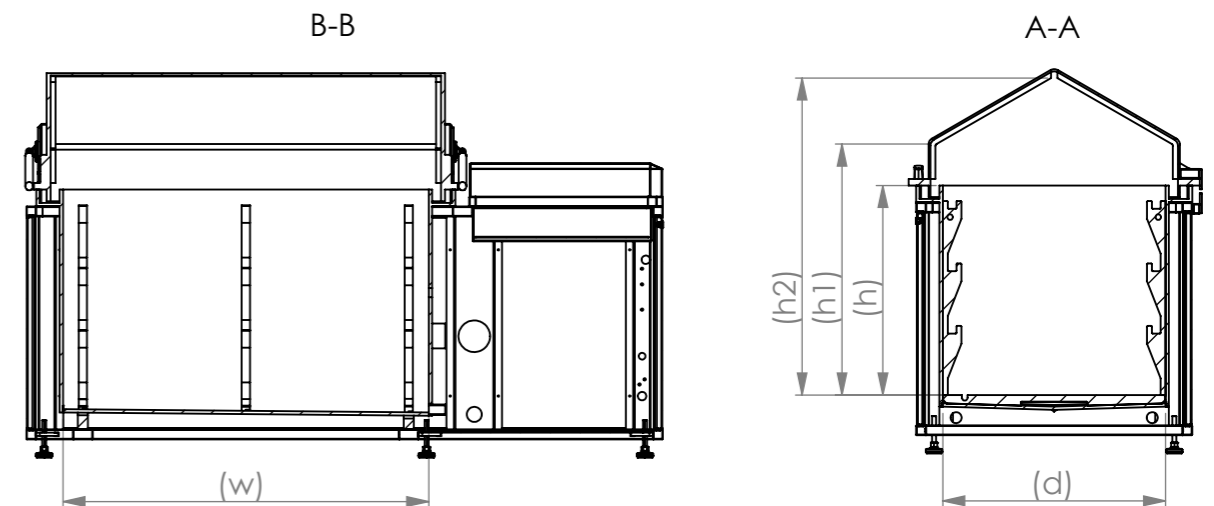
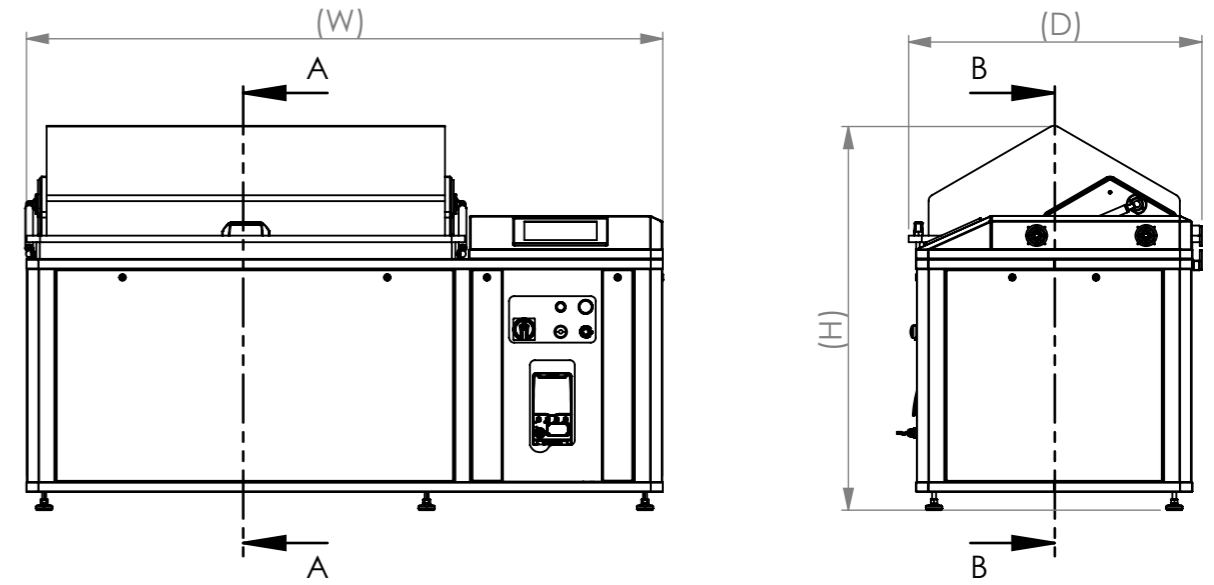
with additional options

ISO 6270-2 CH.AT.AHT
ISO 11997-1
VDA 621-415
VW PV 1210
ISO 60068-2-52
SAE J2334
Nissan CCT1
Volvo / Ford

TLC		550	750	950	1000	1450	2000	2500	3000
chamber width [mm]	(w)	1100	1500	2000	1200	1600	2000	2500	3000
chamber depth [mm]	(d)	670	670	670	900	900	1000	1000	1000
chamber height [mm] (upto test chamber edge)	(h)	630	630	630	750	750	960	960	960
chamber height [mm] (upto begin roof pitch)	(h1)	760	760	760	880	880	1090	1090	1090
chamber height [mm] (upto roof top)	(h2)	990	990	990	1140	1140	1390	1390	1390
outer depth [mm]	(D)	800	800	800	1150	1150	1250	1250	1250
outer height [mm]	(H)	1160	1160	1160	1350	1350	1630	1630	1630
outer width [mm]	(W)	1920	2320	2820	2020	2450	2850	3350	3850
outer width [mm] (with climate function ¹)	(W)	2820	3220	3720	2920	3350	4000	4500	5000
chamber material		Polypropylen							
chamber heating salt spray		heating mats (replacable)							
chamber heating condensated water		external circulation water heating							
chamber temperature (salt spray)		50°C (opt. higher)							
spray nozzle		two component nozzle made of PVDF							
number of flow controls (metering pump and nozzle)		1 pc.	1 pc.	1 pc.	1 pc.	2 pcs.	2 pcs.	2 pcs.	2 pcs.
precipitation		0,5 - 3,0 ml/h							
spray pressure adjustment		0,7 - 2,0 bar							
salt solution (external tank)		140 l	250 l	250 l	250 l	250 l	500 l	500 l	500 l
weight		250 kg	300 kg	350 kg	350 kg	400 kg	500 kg	550 kg	600 kg

02/2020

Corrosion Test Chamber - TLC series



¹with climate function

